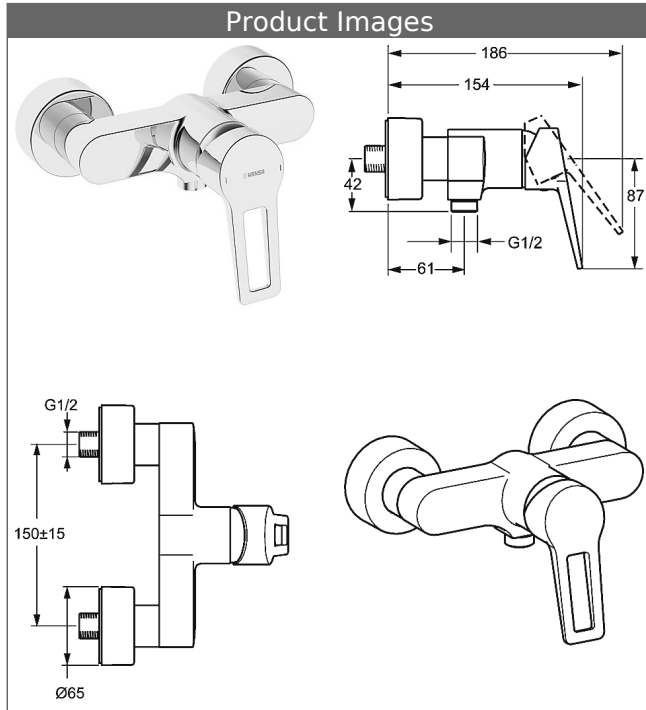


## HANSATWIST single-lever shower mixer, DN 15 (G 1/2) for wall-mounting



### Description

**HANSATWIST**  
single-lever shower mixer, DN 15 (G 1/2)  
for wall-mounting

PA-IX 28939/IB  
flow rate: 17 l/min, at 3 bar hydraulic pressure

- body: DR brass (MS 63)
- loop lever (metal)
- (-) H+C symbol
- downward outlet G 1/2
- eccentric-connections, hidden G 1/2
- protected against back-flow in domestic use (according to DIN EN 1717)

#### **HANSA control cartridge classic 3.5**

Item No.: 59913075

Qty: 1

(-) ceramic discs with integrated grease wells

(-) adjustable hot water stop

(-) volume restrictor indefinitely variable up to approx. 6 l/min

#### **HANSA control cartridge classic 3.5**


Item No.: 59913075

Qty: 1

(-) ceramic discs with integrated grease wells

(-) adjustable hot water stop

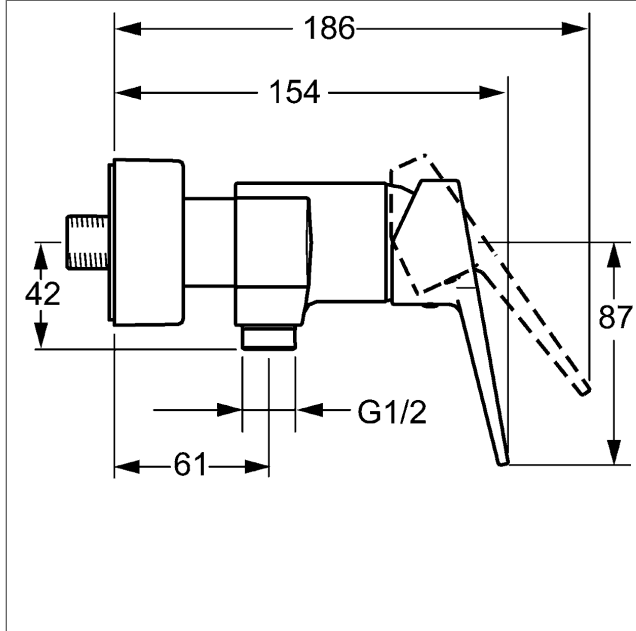
(-) volume restrictor indefinitely variable up to approx. 6 l/min

Model	Item No.	
chrome	09670185	

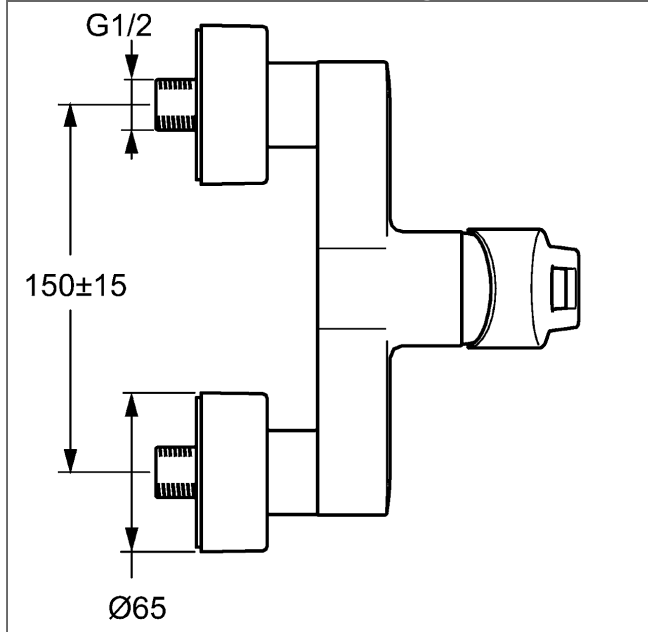
Product Image



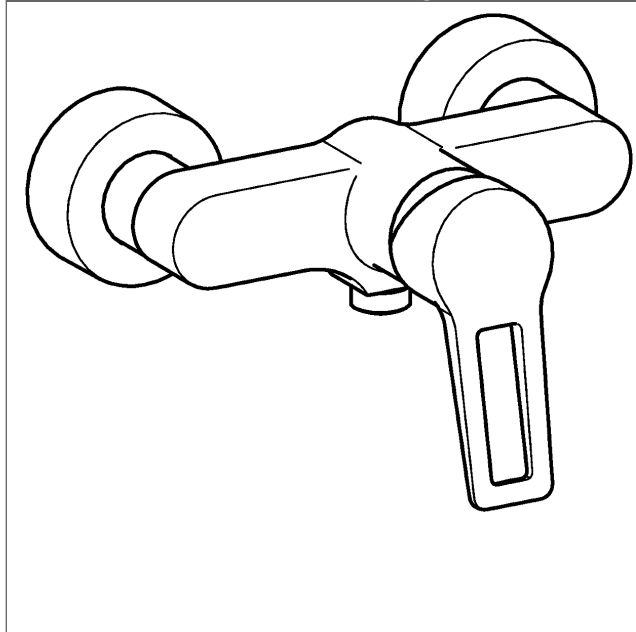
Product Drawing




Product Drawing



Product Drawing



### Related Products

Image:	Description:	Model / Item No.:
	<b>HANSAVIVA wall bar set 900 mm</b> length can be shortened	chrome 44150130